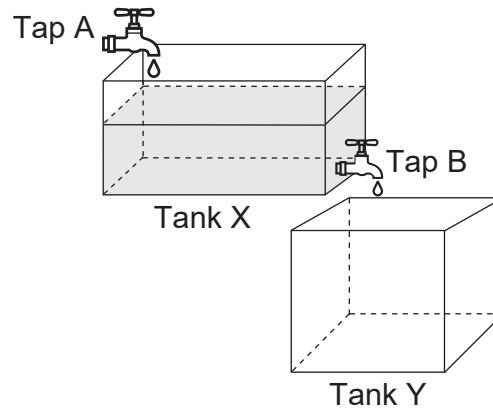


14. Tank X measured 58 cm by 25 cm by 49 cm and was $\frac{4}{7}$ full of water. Cubical Tank Y, with a capacity of 125 ℓ, was placed below it and was empty. Water flowed into Tank X from Tap A at a rate of 900 cm³ per minute. At the same time, water flowed from Tank X into Tank Y through Tap B at a rate of 1500 cm³ per minute. Both taps were turned on for 15 min.



- (a) How much water was left in Tank X after 15 min?

Ans: (a) _____ [3]

- (b) What was the height of the water level in Tank Y after 15 min?

Ans: (b) _____ [2]